



User Instructions  
**WILDFIRE Firepit with  
Cooking Grill**



# Care and safe use guidelines

## WARNINGS - CAUTION!

**DO NOT use indoors!**

**NEVER leave a burning fire unattended.**

**DANGER of carbon monoxide poisoning - NEVER light this product or let it smoulder or cool down in confined spaces.**

**DO NOT overload the unit with fuel.**

**FIRE HAZARD – Hot embers may emit while in use.**

**WARNING! DO NOT use spirit or petrol for lighting or re-lighting! Use only firelighters complying to EN1860-3**

**This product is ONLY suitable for use with charcoal, untreated wood, logs or La Hacienda HeatBlox.**

**DO NOT use this product on decking or any other flammable surfaces such as dry grass, wood chips, leaves or decorative bark.**

**Ensure that the product is positioned at least 2 meters away from flammable items.**

**DO NOT use this product as a furnace.**

**ALWAYS USE safety tool provided and heat resistant gloves when in use as the unit will be hot.**

**WARNING! This firepit will become very hot, do not move it during operation.**

**WARNING! Keep children and pets away.**

**Do not handle or move this product once alight as it will be hot.**



## CARE & USE

Ensure that the product is positioned on a permanent flat, level, heat resistant non-flammable surface away from flammable items.

Ensure product has a minimum of 2m overhead clearance and has a minimum of 2m clearance from other surrounding items.

The unit may be left outside all year if a La Hacienda Cover is used to help protect it from bad weather.

As this model is made from steel, the surface will age and develop surface rust as soon as it is exposed to the natural weather elements and also from first use. This is to be expected; this does not affect use and is not a product fault. Please see below instructions on how to refresh the paint finish if desired.

To help reduce surface rust, rub the product with an oily rag after each use.

For safety reasons, always inspect your product prior to use for signs of fatigue and damage and replace your model as and when necessary.

Always use heat resistant gloves during use and when using this product.

## HOW TO USE AS A FIREPIT

This product is only suitable for use with charcoal, untreated wood, logs or La Hacienda HeatBlox.

Do not overload with fuel, only one or two logs is sufficient.

Prepare a stack of loosely crumpled newspaper and place on top of log bars.

Pile finely split dry firewood on top of paper.

Carefully light the newspaper and place the mesh cover (1) on bowl using hand tool (7).

Use the hand tool (7) to lift the mesh cover (1) when adding more fuel.

Always use heat resistant gloves when adding fuel.

## COOKING ON YOUR FIREPIT

Please follow previous instructions on how to start your fire.

It is recommended that the unit be heated up and the fuel kept red hot for at least 30 minutes prior to first cooking on the unit.

Using heat resistant gloves and the hand tool, place the grill (4) on the top of the grill support bars (3) ensuring the grill is stable.

DO NOT cook before the fuel has a coating of ash.

If refueling is required, always use heat resistant gloves and the hand tool (7) provided to remove the grill (4) as this will be very hot.

When you have finished cooking DO NOT remove the grill (4) until the unit has completely cooled.

## FOOD COOKING INFORMATION

Please read and follow this advice when cooking on your product.

Always wash your hands before and after handling uncooked meat and before eating.

Always keep raw meat away from cooked meat and other foods.

Before cooking ensure grill surfaces and tools are clean and free of old food residues.

DO NOT use the same utensils to handle cooked

and uncooked foods.

Ensure all meat is cooked thoroughly before eating.

CAUTION! – eating raw or under cooked meat can cause food poisoning (e.g. bacteria strains such as E.coli).

To reduce the risk of under cooked meat cut open to ensure it is cooked all the way through.

CAUTION! – if meat has been cooked sufficiently the meat juices should be clear and there should be no traces of pink/red juice or meat colouring.

Pre-cooking larger pieces of meat and joints is recommended before finally cooking on your grill.

After cooking on your grill always clean the grill cooking surfaces and utensils.

## EXTINGUISHING

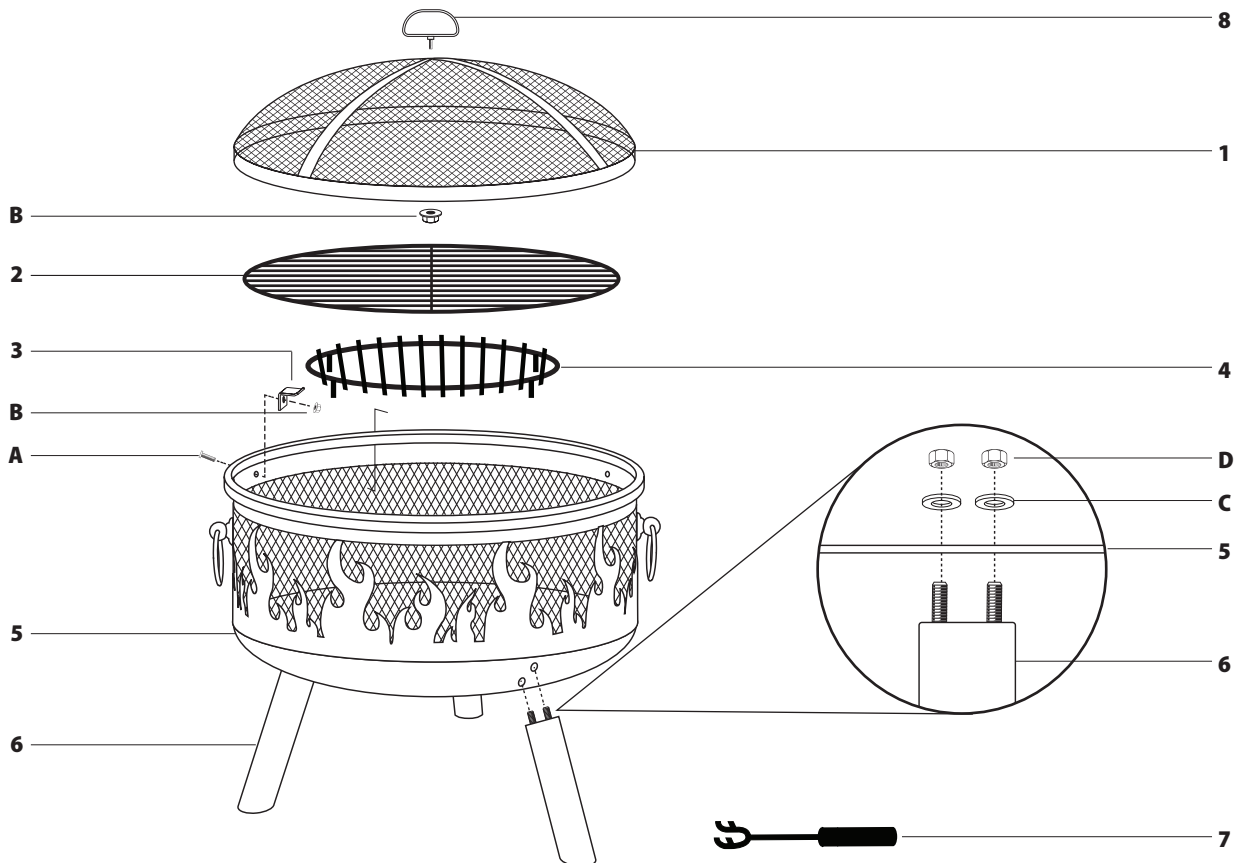
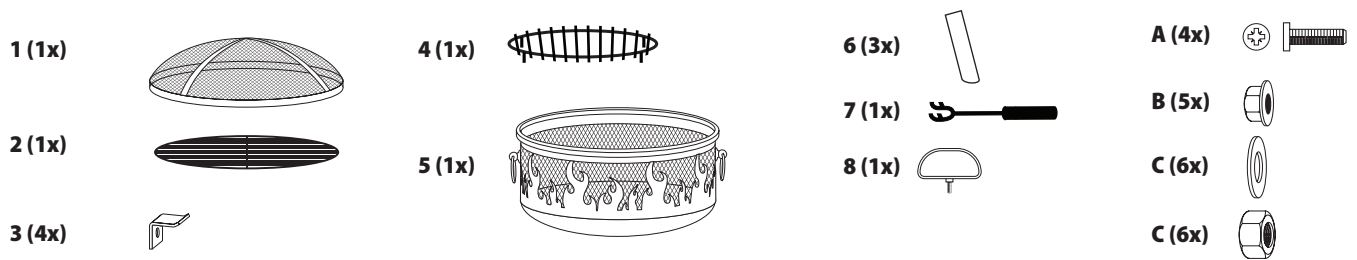
To extinguish unit – stop adding fuel and allow fire to die or douse with sand. DO NOT use water as this may damage the product.

## STORAGE

When not in use, and if stored outside, cover the product once completely cooled with a La Hacienda Cover.

Remove loose paint and rust with a wire brush when needed and re-paint using High Temperature Paint.

## Parts list



**STEP 1 - Attach 3 x legs (6) onto the outside of the firepit (5) by feeding the pre-attached thread through the holes**

**at the base of the firepit (5) and securing each thread with 1 x washer (C) and 1 x nut (D).**

**STEP 2 - Screw 4 x support brackets (3) into the 4 holes on the upper**

**ring of the firepit (5) using 1 x small bolt (A) from the outside and securing on the inside using 1 x nut (B) referring to assembly diagram.**

**STEP 3 - Place the log grate (4) in the bowl.**

**STEP 4 - Attach mesh lid handle (8) to mesh lid using 1 x nut (B).**

## Tools Iriesqt uired

(not included)



**IMPORTANT!** – Carefully remove any packaging before use, but retain the safety instructions.

These instructions form part of the product.

Please take note of all of the safety warnings listed in these instructions.

Please read these instructions in their entirety and retain them for future reference.

These instructions should be stored with the product.

This product is for domestic use **ONLY** and should not be used commercially or for contract purposes.

Failure to adhere to these instructions could re-

sult in property damage, personal injury or death.

Prior to Assembly: Read the instructions carefully. Check all parts against the parts list.

Carry out assembly on a soft surface to avoid scratching the paint. Please retain this information for future reference.

For ease of assembly on ly loosely ti ghten bolts and then tighten fully when assembly is complete.

**WARNING!** - **DO NOT** over tighten bolts; only tighten with moderate pressure to avoid damaging the bolts or components of the product.



**Buschbeck GmbH**

Friedrich-Engels-Straße 21  
D-51545 Waldbröl  
Germany  
Telefon 49 (0) 2291 90718 - 00  
Fax 49 (0) 2291 90718 - 08  
E-Mail [info@buschbeck.de](mailto:info@buschbeck.de)  
[www.buschbeck.de](http://www.buschbeck.de)

